



RAYCHEM

TE Internal #: CD17553001

Hook Up Wire, Spec 55/, 600V Voltage Rating, Silver-Plated High Strength Copper Alloy, 22 AWG Wire Size, .33 mm² Wire Size

[View on TE.com >](#)

Wire & Cable > Hook Up Wire



Cable Type: **Spec 55/**

Voltage Rating: **600 V**

Wire & Cable Insulation Material: **Radiation-Crosslinked, Modified Fluoropolymer**

Conductor Material: **Silver-Plated High Strength Copper Alloy**

Wire Size: **22 AWG**

Features

Electrical Characteristics

Voltage Rating	600 V
----------------	-------

Body Features

Wire & Cable Insulation Material	Radiation-Crosslinked, Modified Fluoropolymer
Conductor Material	Silver-Plated High Strength Copper Alloy
Wire Color (Base)	White

Dimensions

Wire Size	.33 mm ²
-----------	---------------------

Usage Conditions

Cable Type	Spec 55/
Operating Temperature Range	-65 – 200 °C

Product Compliance

[For compliance documentation, visit the product page on TE.com>](#)

EU RoHS Directive 2011/65/EU	Compliant
EU ELV Directive 2000/53/EC	Not Yet Reviewed
China RoHS 2 Directive MIIT Order No 32, 2016	No Restricted Materials Above Threshold
EU REACH Regulation (EC) No. 1907/2006	



Current ECHA Candidate List: JUNE 2022 (224)

Candidate List Declared Against: JUNE 2022 (224)

Does not contain REACH SVHC

Halogen Content

Out of Scope - excluded from Halogen requirements

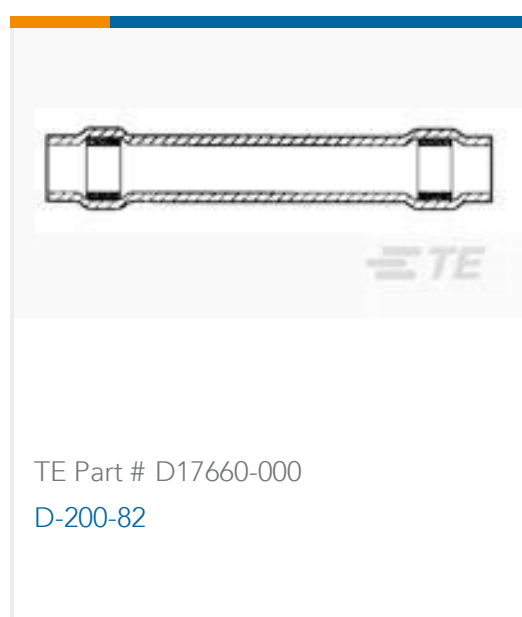
Solder Process Capability

Not applicable for solder process capability

Product Compliance Disclaimer

This information is provided based on reasonable inquiry of our suppliers and represents our current actual knowledge based on the information they provided. This information is subject to change. The part numbers that TE has identified as EU RoHS compliant have a maximum concentration of 0.1% by weight in homogenous materials for lead, hexavalent chromium, mercury, PBB, PBDE, DBP, BBP, DEHP, DIBP, and 0.01% for cadmium, or qualify for an exemption to these limits as defined in the Annexes of Directive 2011/65/EU (RoHS2). Finished electrical and electronic equipment products will be CE marked as required by Directive 2011/65/EU. Components may not be CE marked. Additionally, the part numbers that TE has identified as EU ELV compliant have a maximum concentration of 0.1% by weight in homogenous materials for lead, hexavalent chromium, and mercury, and 0.01% for cadmium, or qualify for an exemption to these limits as defined in the Annexes of Directive 2000/53/EC (ELV). Regarding the REACH Regulation, the information TE provides on SVHC in articles for this part number is based on the latest European Chemicals Agency (ECHA) 'Guidance on requirements for substances in articles' posted at this URL: <https://echa.europa.eu/guidance-documents/guidance-on-reach>

Compatible Parts



Documents

Datasheets & Catalog Pages

[1654025_Sec9_SPEC55](#)

English

[ESA_Approved_Space_Wires](#)

English